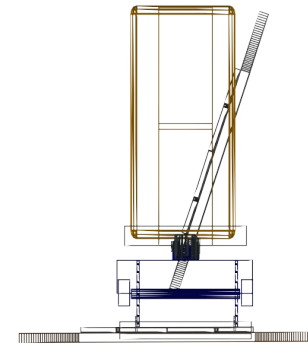
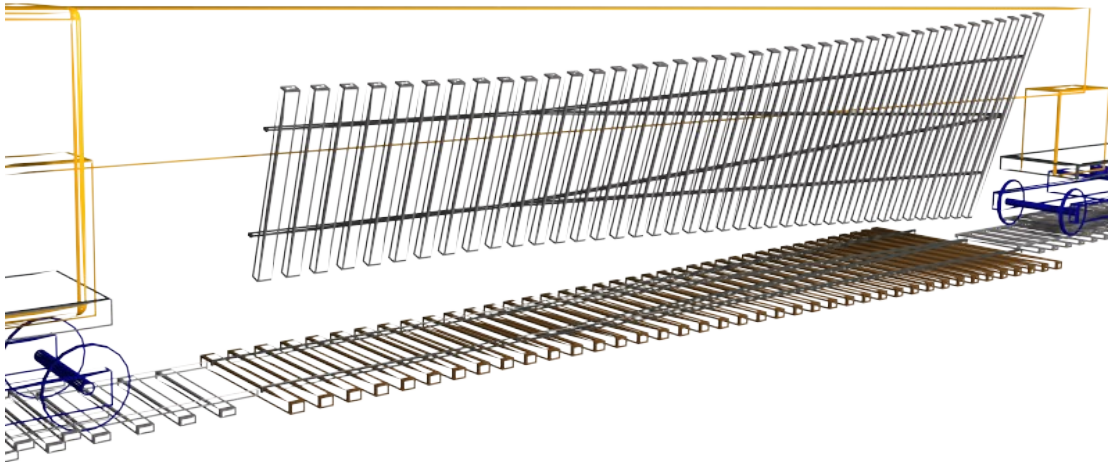
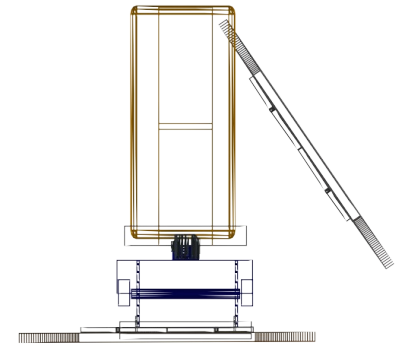
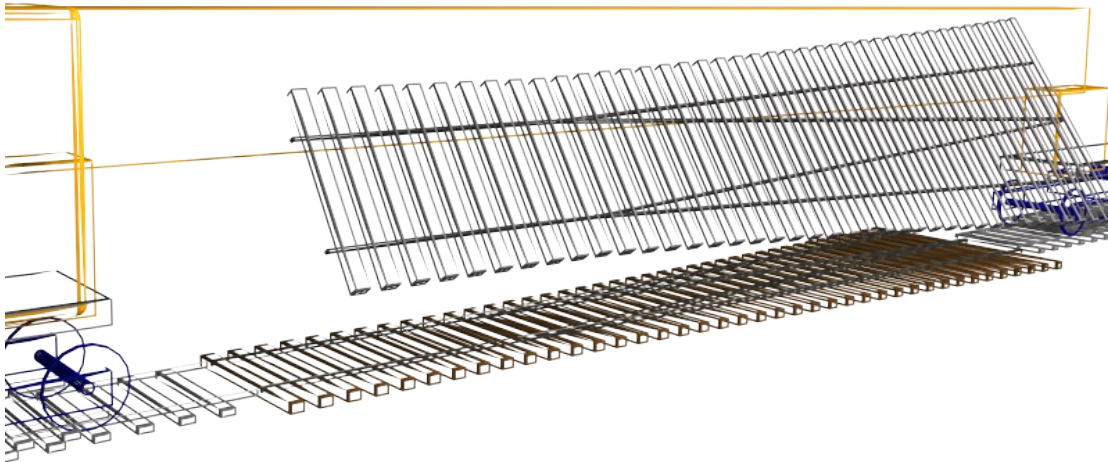


REPLACING A SWITCH



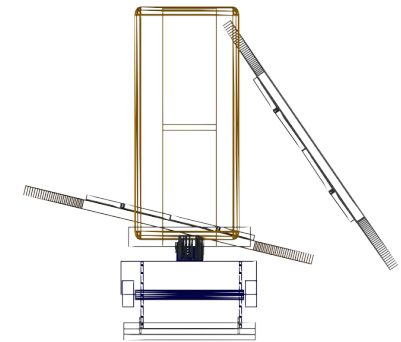
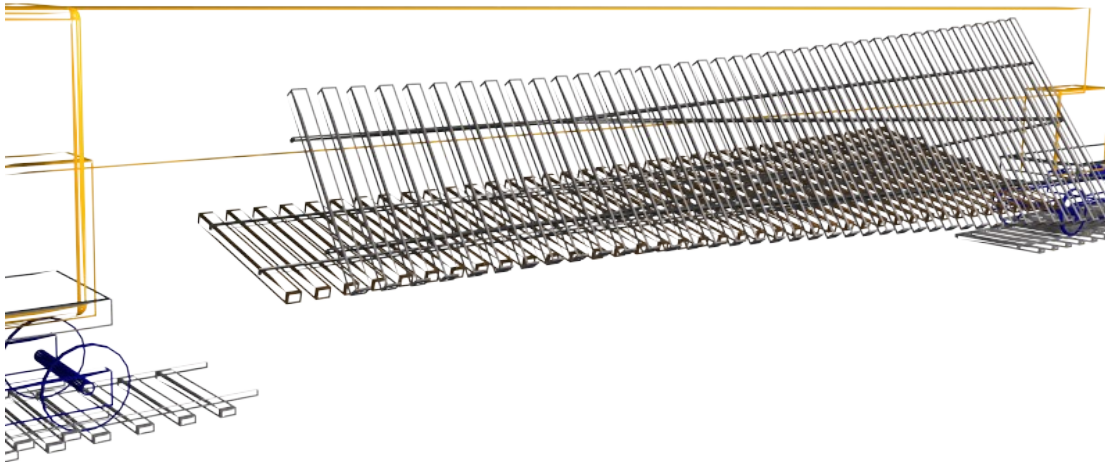
- The machine brings the first block of the track switch

REPLACING A SWITCH



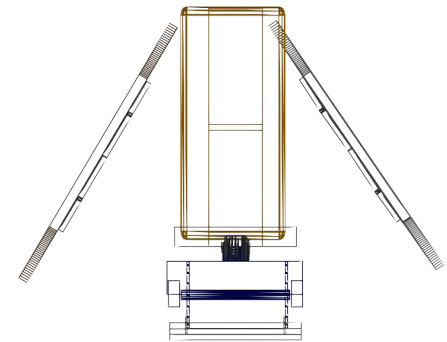
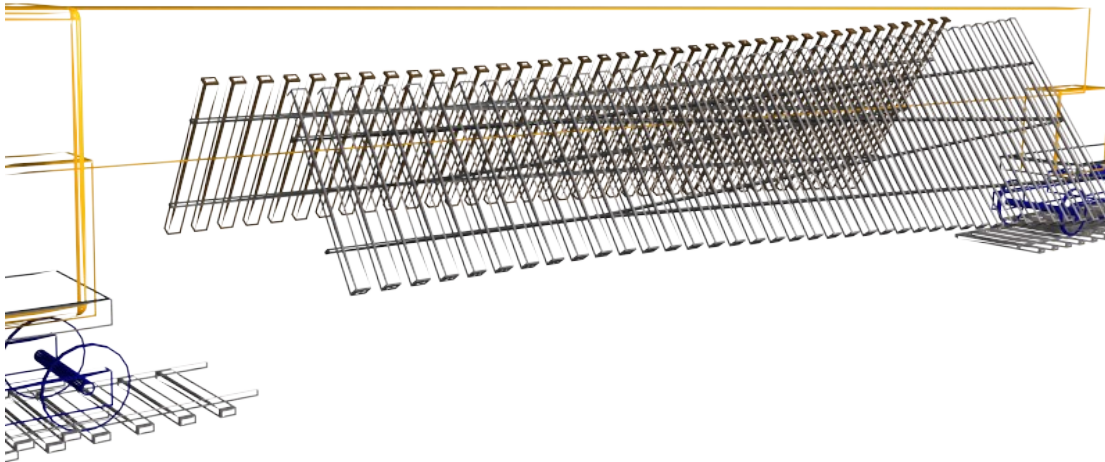
- The new track switch block brought shall be backed out to the tunnel wall

REPLACING A SWITCH



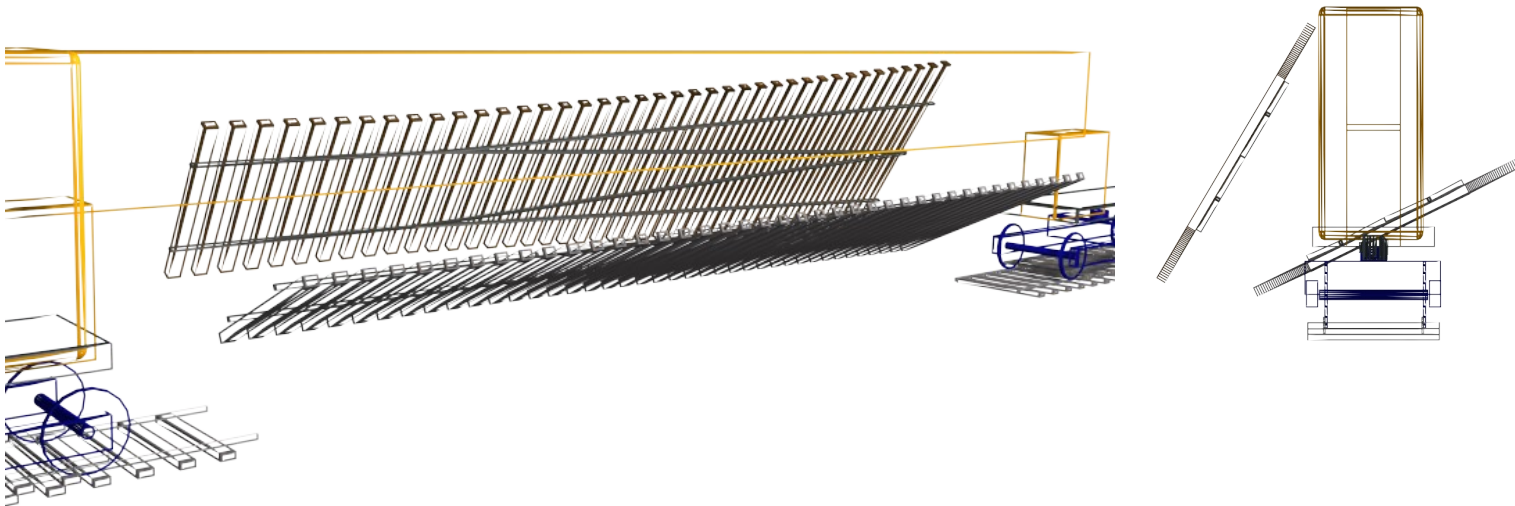
- The old block shall be put vertically and backed out to the opposite wall of the tunnel

REPLACING A SWITCH



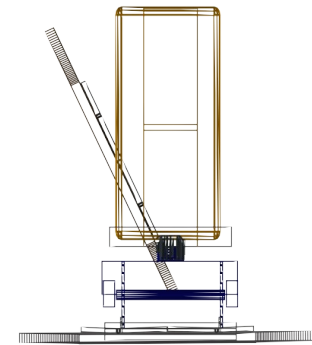
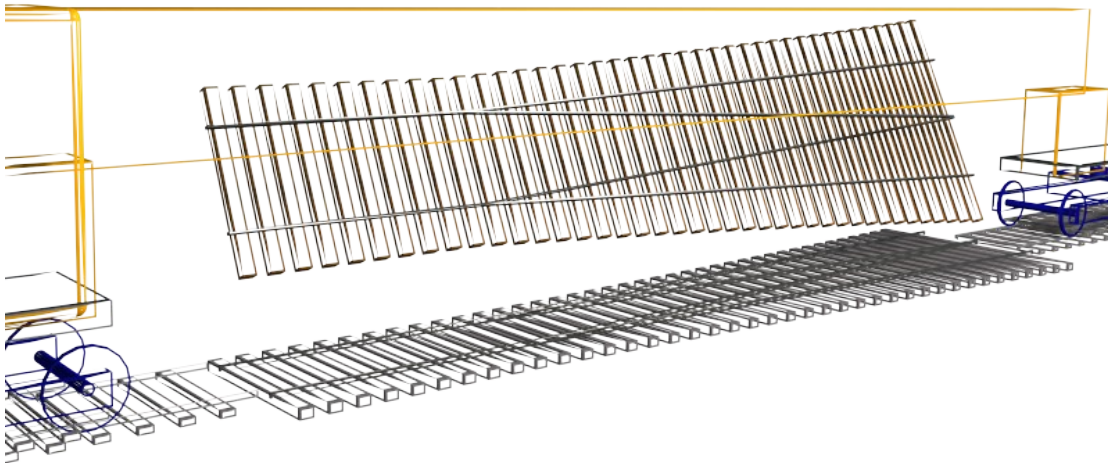
- The old block shall be put vertically and backed out to the opposite wall of the tunnel

REPLACING A SWITCH



- The new block is laid to the ground

REPLACING A SWITCH



- The machine shall be set to transport position and sent to the nearest station